



Figure 1 / 图 1

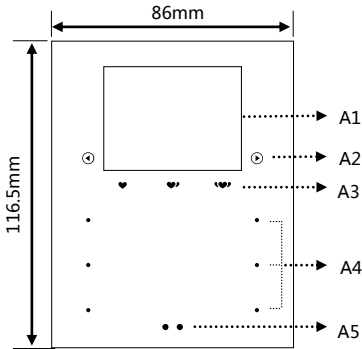


Figure 2 / 图 2

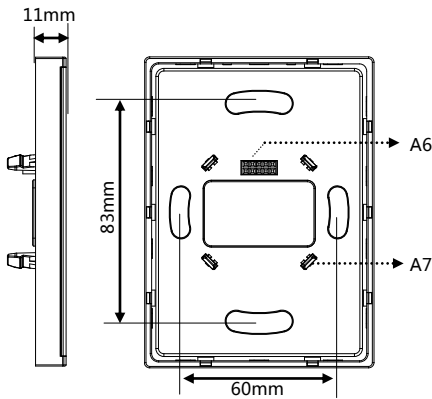


Figure 3 / 图 3

Figure 4 / 图 4

Overview

Prism Pro (See Figure 1) is a high-end and multi-function control panel for home automation. It realizes the control of lighting, curtain, scene, music, air conditioning, floor heating and so on in an intuitive and convenient way. Approaching the sensor can wake up the screen when you need it.

Functions

- Built-in temperature sensor and proximity sensor;
- Adjustable LCD backlight;
- LCD screen wakes up automatically;
- Key RGB indicator and sound indication are available;
- Page shortcut keys are available;
- Standby mode: It can automatically switch to the setting interface and enter the standby mode according to the set time;
- Energy saving mode: As the set time passed, the screen dims and enters the energy saving mode;
- A variety of music source options are available: SD, Audio-IN, BT, S/PDIF, RADIO;
SD card playlist options: LIST1...LIST10;
- Security settings: Various security modes can be set, such as Vacation, Away, Day, Night, Meeting guests;
- Standby display interface: The date, time and current temperature can be displayed;
- Multi Key Mode: Invalid, Single on/off, single on, single off, combination on/off, combination on, combination off, double click/single on/off, double click/combination on/off, momentary, clock, short/long press, short press/long momentary press;
- Supports double - button combination and button mutual exclusion;
- Multi Key control mode: Scene, sequence, timer switch, universal switch, single channel adjustment, broadcast scene, broadcast channel, curtain control, GPRS control, panel control, alarm control, music play, general control;
- Panel control functions include: Panel lock, turn on/off AC, cooling & heating for AC, Auto temperature setting, fan speed adjustment, AC mode setting, AC temperature adjustment, backlight switch, AC lock, backlight and status indicator luminance setting, floor heating temperature and mode control etc.;
- Supports simple programming mode;

Important Notes

- The panel must be installed in wall box.
- It must work in conjunction with HDL-MPLPI46-A.
- It is recommended to adopt Buspro Connection — Series connection (hand-in-hand).

Product Information

Product dimensions—See Figure 2, 3 and 4

- A1: LCD screen:** It is a 2.4 inch IPS color LCD screen. The icon can be defined by user via the manage software.
- A2: Page button:** It is for user to select different pages. 9 pages are available. The user can choose to display some of them or all of them.
- A3: Shortcut key:** It can be set for user to go directly to a particular page without using the page button.
- A4: Control Button & Indicator:**
Control button: It is used to control target. It also can be set whether it is with a touch tone.
Indicator: It indicates status of the controlled target. When it is in on— status, the LED indicator shows the setting color for on-status; When it is in off— status, the LED indicator shows the setting color for off-status. User can define the color of status.
- A5: Proximity Sensing:** It is wake-up function, when the body approaches the sensor, the LCD screen will be lit up.
- A6: Communication interface:** HDL Buspro. It connects to panel power interface.
- A7: Fastener:** It connects to panel power interface.

Product Installation and disassembly

- Installation (See Figure 5-7):** Fix the power interface into the wall box (Standard wall box for US or EU panel) with screws. Hold the edge of panel, then insert the panel into the power interface module vertically.
- Disassembly (See Figure 8):** Insert the panel gap with a slotted screwdriver, and pry up the panel gently and hold the edge panel. Then the panel can be taken off.

Safety Precautions

- The installation and commissioning of the device must be carried out by HDL or the organization designated by HDL. For planning and construction of electric installations, the relevant guidelines, regulations and standards of the respective country are to be considered.
- The device should be installed in wall box. HDL does not take responsibility for all the consequences caused by installation and wire connection that are not in accordance with this specification.
- Please do not privately disassemble the device or replace parts, otherwise it may cause mechanical failure, electric shock, fire or body injury.
- Please resort to our customer service department or designated agencies for maintenance service. The warranty is not applicable for the product fault caused by private disassembly.

Package Contents

HDL-MPTFL11.46 *1 / Datasheet*1 / Warranty card*1

产品概述

方质Pro (见图1) 是一款高端智能家居多功能控制面板。它通过直观的方式实现对灯光, 窗帘, 场景, 音乐, 空调, 地暖等控制。接近传感器就可在您需要的时候唤醒屏幕。

功能说明

- 内置温度传感器及接近传感器
- 液晶屏背光亮度可调
- 液晶屏唤醒功能
- 按键指示灯RGB显示及声音提示
- 快捷键跳转页面设置
- 待机模式, 根据设置的时间, 自动切换到设置界面, 进入待机模式
- 节能模式, 根据设置的时间屏幕变暗, 进入节能模式
- 支持多种音乐播放源选择: SD, Audio-IN, BT, S/PDIF, RADIO
SD卡中播放列表选择, LIST1...LIST10
- 安防设置: 可设置各种安防模式, 如度假, 离开, 白天, 夜晚, 会客等
- 待机显示界面: 可显示日期时间, 当时的温度等
- 多种面板按键模式: 无效模式、单一开/关、单一开、单一关、组合开/关、组合开、组合关、双击/单一开、双击/单一关、点动、闹钟、短按/长按、短按/长点动等
- 支持双按键合并, 按键互斥功能
- 多种面板按键控制类型: 场景、序列、时间开关、通用开关、单回路调节、广播场景、广播回路、窗帘控制、GPRS控制、面板控制、消防模块、音乐播放、通用控制等
- 面板控制包括: 面板锁、空调开关、空调制冷、制热、自动温度的设置, 空调风速设置, 空调模式设置, 升高或降低温度, 背光开关, 空调锁, 背光灯及状态灯亮度设置, 地热温度及模式控制
- 支持简易编程模式
- 支持HDL Buspro在线升级

注意事项

- 面板必须安装暗盒里。
- 必须与面板电源接口模块 (HDL-MPLPI46-A) 配合使用
- 总线连接 - 推荐使用手拉手的连接方式

产品信息

产品尺寸—见图 2, 3和4

- A1: 液晶屏:** 该屏是2.4寸IPS真彩液晶屏, 用户可以自定义图标
- A2: 翻页按键:** 按键页面设置完全显示后共有9个页面。用户可选择显示或隐藏页面。
- A3: 快捷按键:** 用户可以设置直接到达某一页面, 无需翻页, 直接控制, 操作快速方便。
- A4: 按键&指示灯:**
控制功能: 每个按键可以设置是否有按键音提示。
指示功能: 指示被控目标的状态。状态开时LED灯显示设定的开颜色, 状态关时LED灯显示设定的关颜色。指示灯颜色可自定义设置。
- A5: 接近感应:** 即唤醒功能, 当人体靠近此处时, 液晶屏会被点亮。
- A6: 通信接口:** HDL Buspro。与电源接口模块连接。
- A7: 卡扣:** 与电源接口模块连接。

设备的安装和拆卸

- 安装 (见图 5-7):** 用螺丝将电源接口模块固定在暗盒里 (欧标或美标面板标准暗盒)。手持面板边缘, 对准卡口, 垂直插入电源接口模块, 不可过用力按压面板。
- 拆卸面板 (见图 8):** 用一字螺丝批插入面板缺口, 轻撬面板, 手握面板边缘, 即可取下面板。

安全警告

- 本设备的安装及调试工作必须由我司或我司指定的机构进行。其电气安装的计划 and 施工, 必须遵守当地相关的安全标准和法规。
- 该产品需安装在暗盒内, 未按照本说明书进行安装及接线方式的, 所造成的一切后果皆与我司无关。
- 请不要私自拆装或更换零部件, 否则可能会导致机械故障、电击、火灾或身体伤害。
- 请将一切维修工作交由我司售后部门或指定机构进行, 本产品的保修范围不适用于因用户拆卸产品而导致的故障。

装箱清单

HDL-MPTFL11.46 *1 / 说明书*1 / 保修卡*1

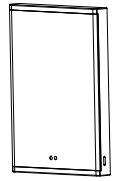


Figure 7 / 图 7

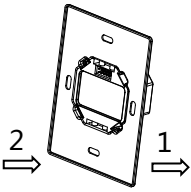


Figure 6 / 图 6

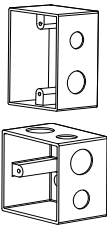


Figure 5 / 图 5

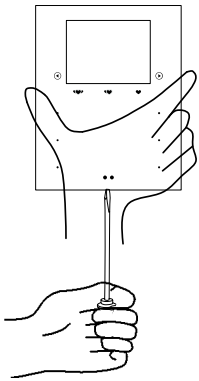


Figure 8 / 图 8

EN

Technical Data

Electrical Parameters

| | |
|--|-----------------------------|
| Working voltage (from HDL-MPLPL146-A) | 12~30V DC |
| Power consumption | 70mA/24V DC |
| Communication | HDL Buspro |
| Buspro terminal | 0.6-0.8mm single core cable |

External Environment

| | |
|---------------------------|------------|
| Working temperature | -5°C~45°C |
| Working relative humidity | ≤90% |
| Storage temperature | -20°C~60°C |
| Storage relative humidity | ≤93% |

Specifications

| | |
|--|---------------------------|
| LCD resolution | 320x240 |
| Dimensions | 86×116.5×11 (mm) |
| Net weight | 149g |
| Housing material | Glass, Aluminum alloy, PC |
| Installation | Wall box (See Figure 5-7) |
| Protection rating (Compliant with EN 60529) | IP20 |

Name and Content of Harmful Substances in Products

| Harmful substances | Part components | | | |
|--|-----------------|---------|------|-----------|
| | Circuit board | Housing | Wire | Accessory |
| Lead (Pb) | ○ | ○ | ○ | ○ |
| Mercury (Hg) | ○ | ○ | ○ | ○ |
| Cadmium (Cd) | ○ | ○ | ○ | ○ |
| Cr, VI | ○ | ○ | ○ | ○ |
| Poly-brominated biphenyls (PBB) | ○ | ○ | ○ | ○ |
| Poly-brominated diphenyl ethers (PBDE) | ○ | ○ | ○ | ○ |

The circle symbol "○" indicates that the content of the harmful substances in all the homogeneous materials of the component is below the limit required by the Standard IEC62321-2015.

HDL Buspro Cable Guide

| CAT5/CAT5E | HDL Buspro | HDL Buspro/KNX |
|---------------------------|------------|----------------|
| Brown/ Orange | 24V DC | Red |
| Brown white/ Orange white | COM | Black |
| Blue white/Green white | DATA- | White |
| Blue/ Green | DATA+ | Yellow |

CN

技术参数

电气参数

| | |
|-----------------------------|---------------|
| 工作电压 (由HDL-MPLPL146-A供电) | 12~30V DC |
| 总线耗电 | 70mA /24V DC |
| 通信协议 | HDL Buspro |
| 总线接线端子 | 0.6-0.8mm单芯电缆 |

外部环境

| | |
|--------|------------|
| 工作温度 | -5°C~45°C |
| 工作相对湿度 | ≤90% |
| 储存温度 | -20°C~60°C |
| 储存相对湿度 | ≤93% |

产品规格

| | |
|-----------------------|------------------|
| 显示屏分辨率 | 320x240 |
| 尺寸 | 86×116.5×11 (mm) |
| 净重 | 149g |
| 外壳材料 | 玻璃, 铝合金, PC |
| 安装方式 | 暗盒安装 (见图5-7) |
| 防护级别 (符合 EN 60529) | IP20 |

产品中有害物质的名称及含量

| 有害物质 | 零部件 | | | |
|-------------|-----|----|----|----|
| | 电路板 | 外壳 | 线材 | 附件 |
| 铅(Pb) | ○ | ○ | ○ | ○ |
| 汞(Hg) | ○ | ○ | ○ | ○ |
| 镉(Cd) | ○ | ○ | ○ | ○ |
| 六价铬(Cr, VI) | ○ | ○ | ○ | ○ |
| 多溴联苯(PBB) | ○ | ○ | ○ | ○ |
| 多溴二苯醚(PBDE) | ○ | ○ | ○ | ○ |

圆圈符号“○”，表示该有害物质在该部件所有均质材料中的含量均在IEC62321-2015规定的限量要求以下。

总线定义

| CAT5/CAT5E | HDL Buspro | HDL Buspro/KNX |
|------------|------------|----------------|
| 棕/橙 | 24V DC | 红 |
| 棕白/橙白 | COM | 黑 |
| 蓝白/绿白 | DATA- | 白 |
| 蓝/绿 | DATA+ | 黄 |

技术支持
服务热线：020-84651666-7094
(工作时间：9:00-12:00, 13:00-18:00, 星期一至星期五)
邮箱：kfb@hdlchina.com.cn
网址：<http://www.hdlchina.com>

Technical support
E-mail: support@hdlchina.com.cn
Website: <https://www.hdlautomation.com>