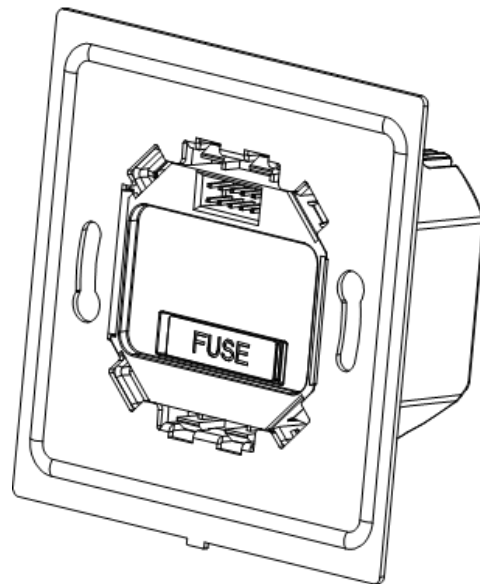


HDL[®]

User manual

Wireless Power Interface



HDL-MPWPI03L.18

buspro

www.hdlautomation.com

INDEX

1. Overview.....	1
1.1 General Information.....	1
1.1.1 Description.....	1
1.1.2 Mounting.....	1
1.2 Functionalities Description.....	1
1.3 Device Description.....	2
2. Safety Instructions.....	2
3. Technical Data.....	3
4. Wiring.....	4
5. Trouble Shooting.....	5
6. Note.....	8

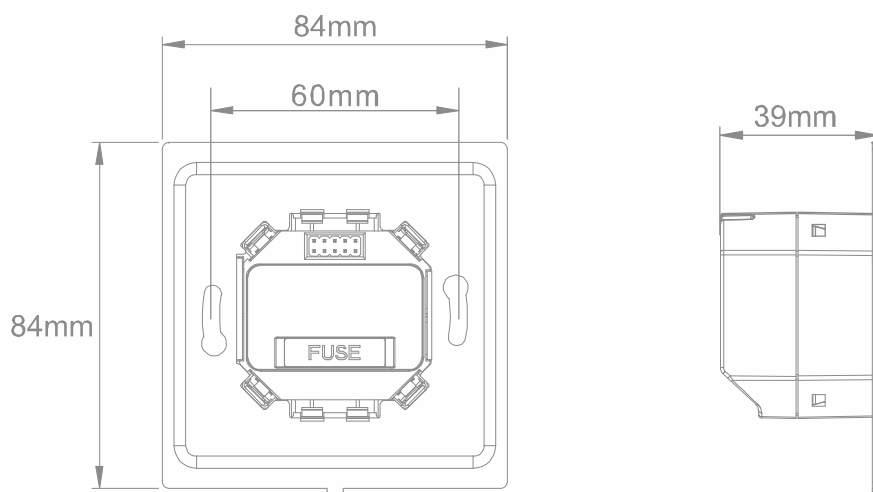
1. Overview

1.1 General Information

1.1.1 Description

HDL-MPWPI03L.18 is wireless power interface, which supplies DC5V power for wireless panel. It has the function of dimming and switch.

1.1.2 Mounting

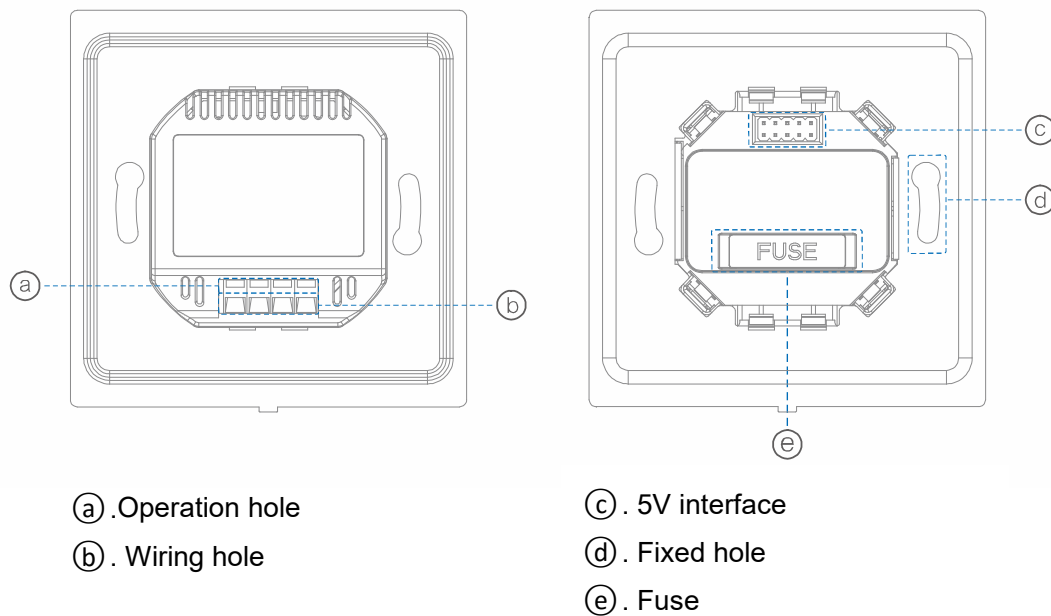


- GI Wall-BOX

1.2 Functionalities Description

- Supplies DC5V power for wireless panel
- 1CH MOSFET Dimmer Dimming/Switch
- 2CH TRIAC Dimming/Switch
- Short circuit protection
- Over heating protection

1.3 Device Description



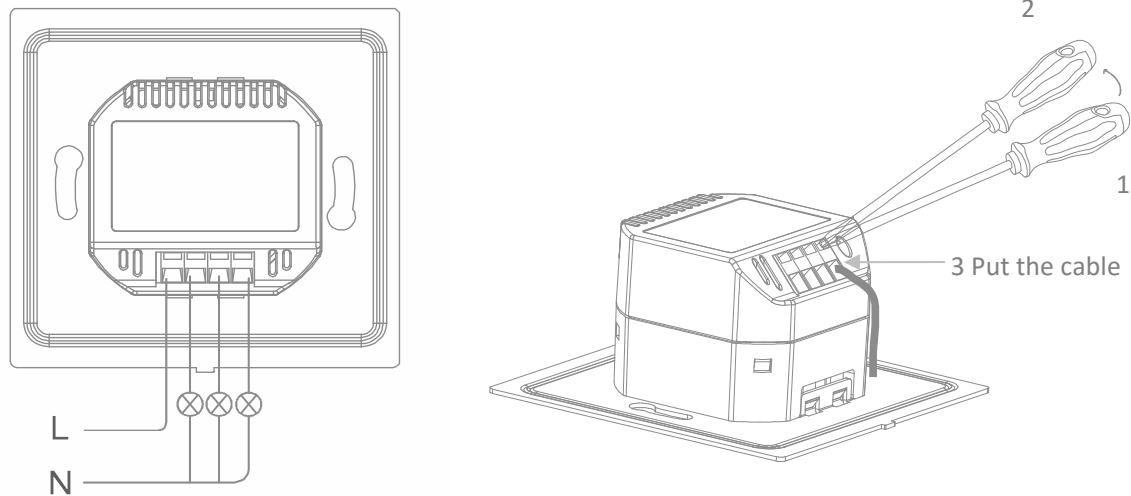
2. Safety Instructions

- Each channel output current is 1A, total current does not exceed 2A
- The device cannot switch off the load completely. During overhauling or replacing the lamps and fuses, the device must be cut the AC power supply.
- Fuse must be aR type, and current does not exceed 4A
- The channel 1 is forbidden to connect to inductive load.
- Ensure good ventilation
- Avoid contact with liquids and aggressive gases

3. Technical Data

Electric Parameters	
Working power	AC85-270V
Frequency	50/60Hz
Output	3channels
Output current	1A/CH Total current should not exceed 2A
Fuse	4A , aRtype ,
Terminal	Wago 236
Environmental Conditions	
Working temperature	0°C~45°C
Working relate Humidity	Up to 90%
Storage Temperature	-20°C~+60°C
Storage relative Humidity	Up to 93%
Approved	
CE	
RoHS	
Production Information	
Dimension	84×84×39(mm)
Weight	128g
Housing material	Inflaming retarding Nylon
Installation	GI Wall-BOX
Protection degree	IP20

4. Wiring

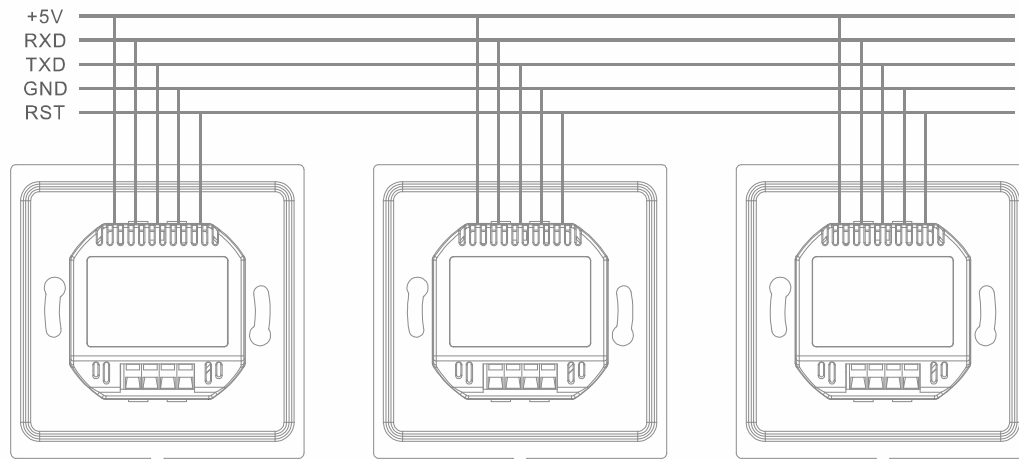


Wiring steps:

1. Insert a slotted screwdriver to the operation hole, pry up from position 1 to 2, wiring hole will open.
2. Put the cable into the wiring hole
3. After putting the wiring, pull the screwdriver out.

Load requirements:

1. Channel 1 is MOSFET dimming
2. Channel 2 and 3 are TRIAC dimming.
3. To provide working voltage for the panel, must connect the dimmable load to channel 1
4. Recommended loads for the channel 1: electronic transformer, LED driver etc. It can reduce the noise in dimming mode. Inductive load is not allowed.
5. Make sure the lamps meet the minimum load power requirement, 30W. If the connected load is less than 30W, needs to connect the constant current module in parallel to provide enough working current for panel.



Multiple wireless power interfaces can be connected in parallel (up to 4 totally), then the panel (such as DLP) can control all these channels. Shown as above, the terminal connection should avoid any mistakes.

5. Trouble Shooting

1. Dimming flicker

Possible causes:

1-The channel1's max value is too large.

If the connected load is bulb, the max value cannot exceed 80%. If the connected load is LED, the max value must be small (less than 80%, user needs to test the proper value themselves), otherwise the power interface cannot supply enough power for it, then lead to dimming flicker, more serious, the power interface will automatically restart.

2-If the connected load is LED, and its power is less than 30W, must connect the constant current module in parallel, the max value can up to 80%.

2. Power interface cannot supply power for panel to work

Possible causes:

1- Reinstall the panel to the power interface to check can work or not; if not, turn to the next step.

- 2- Check the safety fuse is broken or not; if not, turn to the next step.
- 3- Use multimeter to measure the 5V interface has 5V output or not; if not, the power interface is broken.

Document updates:

Version	Data	Description
V1.0	2015.02.10	Create new document

