

Parameters

Electrical Parameters	
Working voltage	85-265VAC
Current	4.2mA/220VAC
Relay output	5A
Brightness detection range	0~300LUX
PIR detection range (Radius)	3.5m (Installation height:2.4m)
Ultrasonic detection range (Radius)	3m (Installation height;2.4m)
Wireless transmit power	+10dbm
Wireless receive sensitivity	-90dbm
Indoor communication distance	<=30m
RSSI receive signal intensity	>-80dbm
Wireless central frequency	
(China) WPAN	780-786MHz
(Europe) SRD	864-870MHz
(North America) ISM	904-928MHz
Default channel	780 MHz
Default password	HDL-SecurityKey0
Environment Conditions:	
Working temperature	-40°C~+45°C
Working relative humidity	< 90%
Storage temperature	-20°C~+60°C
Storage relative humidity	< 93%
Approved	
CE	
RoHS	
Product Information	
Dimension	Φ95×38mm
Weight	280g
Housing material	ABS
Installation	Ceiling mounted
Protection Degree	IP20

Important Notes

- Installation - Ceiling mounted
- Make sure the connection is correct.
- Installation position: Indoor, keep it away from air outlet and heat source. Avoid to use curtain, screen, etc. to cover the detection area.

Overview

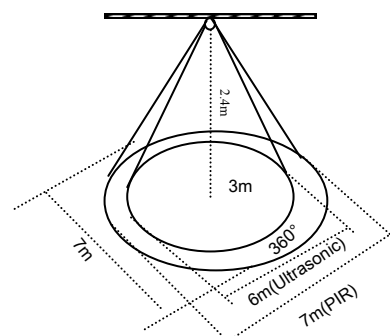


HDL-MSPU05-RF.1C Wireless Ultrasonic&PIR sensor, it includes LUX sensor, UV switch. It can satisfy different requirements according to different logics.

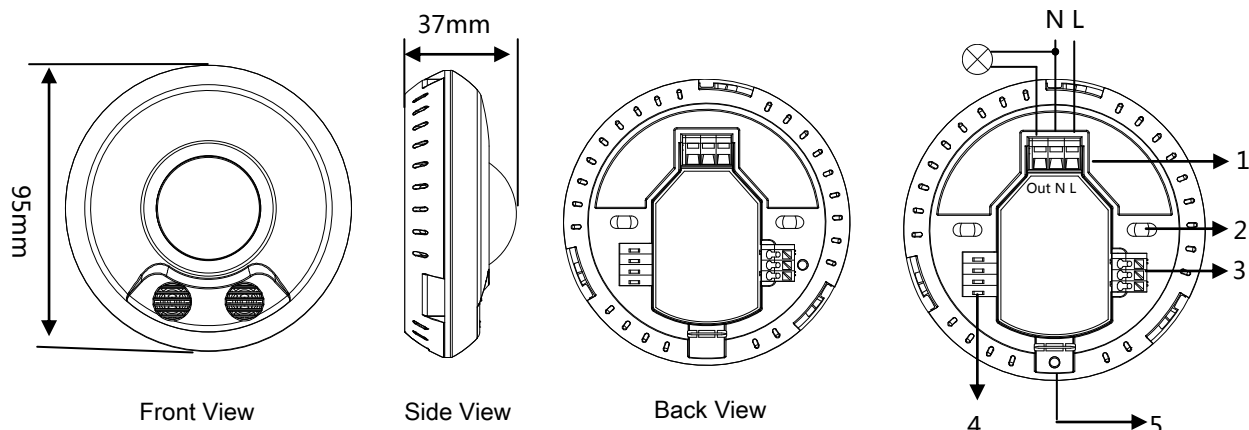
Functions

- Support 1CH 5A relay output
- Check the real-time status
- Built-in PIR sensor, Lux sensor, Ultrasonic sensor, Button, UV switch, logic. total in 8 input logic conditions logic block
- Adjustable infrared sensitivity, sensitivity range: 1-100
- Adjustable ultrasonic sensitivity, sensitivity range: 1-100
- With 24 logic blocks, each logic block has 8 inputs and 20 outputs commands
- Target types: scene, sequence, universal switch, single channel lighting control, broadcast scene, broadcast channel, GPRS control, Panel control, Z-Audio control
- With two logic relationships: OR, AND
- Security function
- Support online upgrading

Detection Range



Dimensions and Wiring



Recommended load type and power for relay (AC220V)

Motor:	1HP (1HP=746W)
Incandescent lamp load:	800W
Inductive transformer:	400W
Electronic transformer:	400W
Halogen lamp 220V:	800W
Mercury vapor lamp	
*Uncompensated lamp:	500W
*Parallel compensated lamp:	400W
Fluorescent lamp T5 / T8	
*Uncompensated lamp:	500W
* Parallel compensated lamp:	400W
*DUO lamp:	400W
Dulux lamp	
*Uncompensated lamp:	250W
*Parallel compensated lamp:	200W

1 Power input and relay output

2 Hole

3 Inactive

4 Inactive

5 Programming button:

If it is working fine, keep pressing the button for 3s, you can read and modify the address by HDL buspro software. In the programming mode, keep pressing the button for 3s, will exit the mode.

If it is working fine, press the button three times continuously to enter the setup mode, and the wireless gateway needs to enter the setup mode at the same time, now, you can set the wireless parameters of sensor. In the setup mode, press the button one time, will exit the mode.

Safety Precautions



- The screw down strength should not exceed 0.1Nm.
- No need to connect with HDL Buspro interface.
- Avoid contact with liquid and aggressive gases.

Package contents

- MSPU05-RF.1C*1/ Datasheet*1

