

## Parameters

Electrical Parameters:	
Input voltage	AC85-265V, 50/60Hz
Power consumption	0.44w max.
0-10VDC output for each channel	0-30mA
Wireless transmission power	+10dbm
Wireless sensitivity	-90dbm
Indoor communication distance	<=30m
Frequency allocation	
WPAN (China)	780 to 786MHz
SRD (Europe)	864 to 870MHz
ISM (North America)	904 to 928MHz
Default band	780 MHz
Default PSK	HDL-SecurityKey0
Environmental Conditions	
Working temperature	-20°C~45°C
Working relative humidity	<90%
Storage temperature	-20°C~+60°C
Storage relative humidity	<93%
Approved	
CE	
RoHS	
Product Information:	
Dimensions	44x36x17 ( mm )
Weight	25.5g
Housing material	PC
Installation	Wall box
Protection degree	IP20
Fire and neutral line	1.5mm <sup>2</sup> (the module provides 15cm wire)
Stripping length	5~7mm

## Important Notes

- Check the connection - Make sure all connection is correct.
- The subnet ID, frequency, band, password of wireless 0-10V dimmer should be same as mesh gateway.
- 0-10VDC output for each channel is 0-30mA.

## Overview

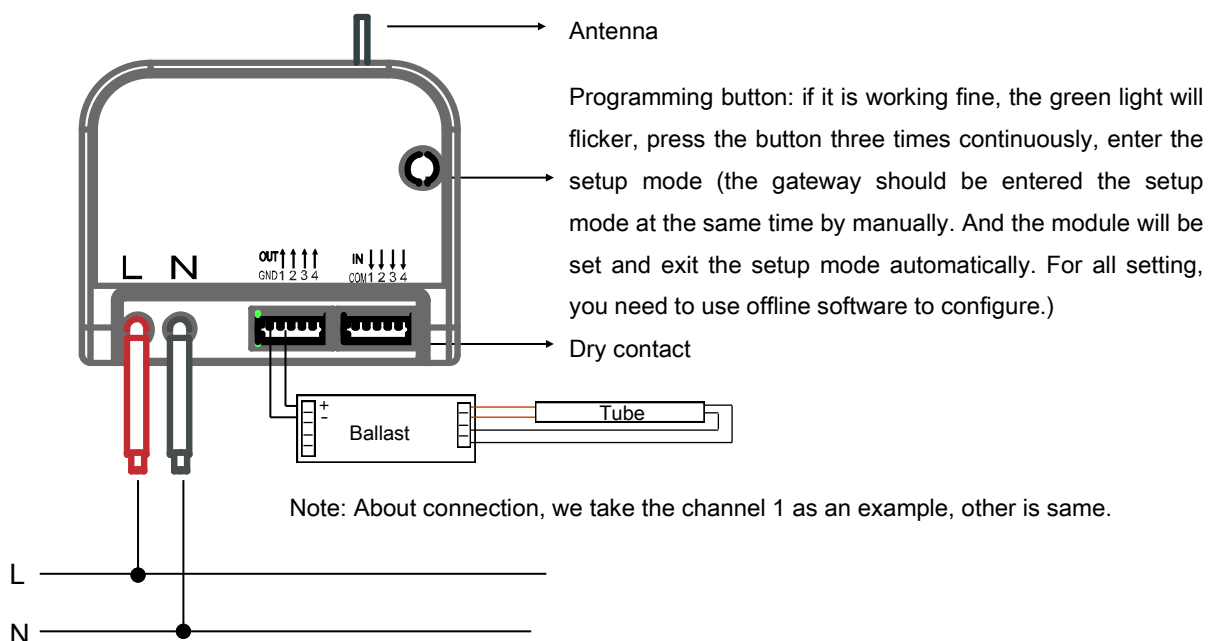
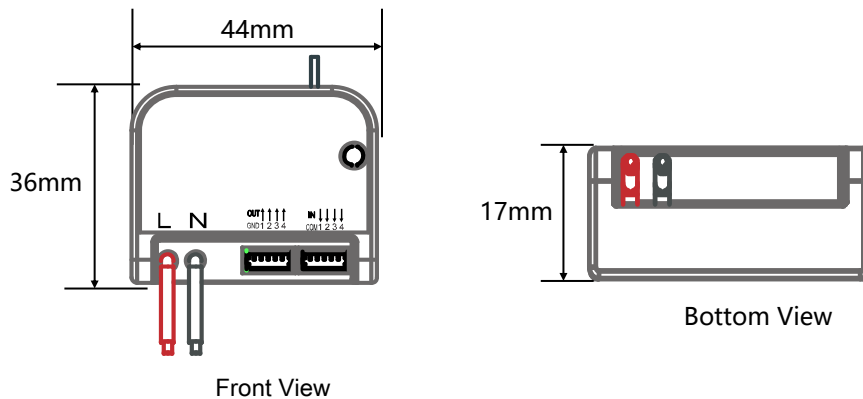


HDL-MPDA04-RF.18 Wireless 4CH DC0-10V dimmer. It has 4CH for 0-10V output, you can adjust the LED value by electronic ballast. And it has 4CH dry contact, can control target by switch. This module should be configured with mesh gateway.

## Functions

- 4CH dry contact input and DC 0-10V output.
- Has dimming curves, according to your setting, you can select 1.0, 1.5, 2.0, 3.0 exponent.
- The 4CH dry contact supports electronic switch and mechanical switch, can control the target and has dimming function.
- The dry contact supports: mechanical switch, single on, single off, single on/off, combination on/off, multi-function, parallel switch.
- Each switch type can set switch mode, dimmable two-way, dimmable increase, dimmable reduce.
- Control type: scene, sequence, universal switch, single channel lighting control, broadcast scene, broadcast channel, curtain switch, GPRS control switch, Panel control, security module, z-audio control
- Supports IEEE.802.15.4
- Supports online upgrading
- Supports easy programming

## Dimensions and Wiring



## Safety Precautions

- Avoid contact with liquids and aggressive gases.
- Ensure good ventilation.

## Packing List

- HDL-MPDA04-RF.18 \*1
- Datasheet \*1
- Cable (15cm) \*1