

Parameters

Electrical Parameters:	
Working power	15~30VDC
Static power consumption	15mA/DC24V
Dynamic power consumption	40mA/DC24V
Output channel	8CH/10A
Relay	16A Magnetic latching relay
Max current in each channel	10A
Electronic life time of relay	>60000 (Resistance Load)
Protection	Connect a breaker in each channel
Environmental Conditions:	
Working temperature	0°C~45°C
Working relative humidity	Up to 90%
Storage temperature	-20°C~+60°C
Storage relative humidity	Up to 93%
Approved	
CE	
RoHS	
Product Information:	
Dimensions	144×90×66 (mm)
Weight	361g
Housing material	Nylon, PC
Installation	35mm DIN rail installation
Protection degree	IP20
Installation position	Distribution box (DB)

Installation Step

- 35mm DIN rail Installation, inside DB box.
- Mark up for each output connection cable.
- Connect the load and HDL Buspro cable.
- Check if there is any short circuit in output connection cable.
- Check the HDL Buspro connection, avoid any mistakes.
- Isolate the high power and low power.
- Tighten the screw again for all of terminal
- Recommended load type and power

Motors:	1H (1HP=746W)
Incan descent lamp load:	1600 W
Inductive transformer :	1000 W
Electronic transformer:	800 W
Halogen lamp 230 V	1600 W
Mercury-vapour lamp	
* Uncompensated luminaire:	1000 W
* Parallel compensated :	800 W
Fluorescent lamp T5 / T8	
* Uncompensated luminaire:	1000 W
* Parallel compensated :	800 W
* DUO lamp :	800 W
Dulux lamp	
* Uncompensated luminaire:	1000 W
*Parallel compensated :	800 W

Overview



HDL-MR0810.432 Intelligent Relay Module, has 16A launching relay inside, Zero power consumption and high reliability. The relay's communication interface is HDL Buspro Pro, which is based on RS485 protocol.

Functions

- 8-channel Relay output unit.
- Scene controller function available.
- Up to 8 separate areas.
- Each area has 16 scenes with maximum running time of 60 minutes.
- Each channel has light protection delay (0-60 minutes).
- Each channel has batch turn-on delay(0-25 seconds).
- Each channel has manual control for relay unit.
- You can select specified scene or scene before power off when the device restarts
- Supports easy programming and HDL Buspro online upgrading.
- Communication: HDL Buspro.

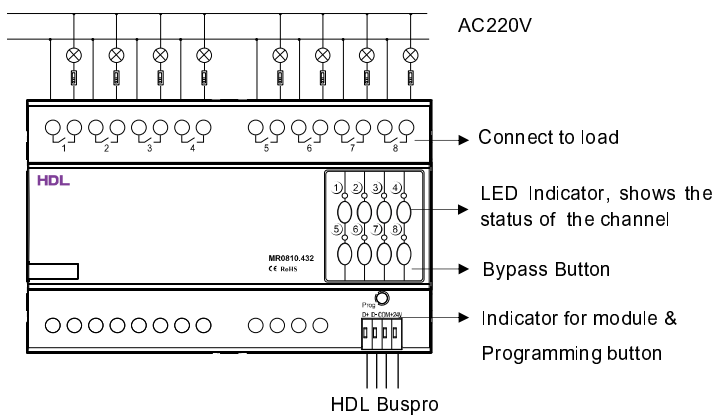
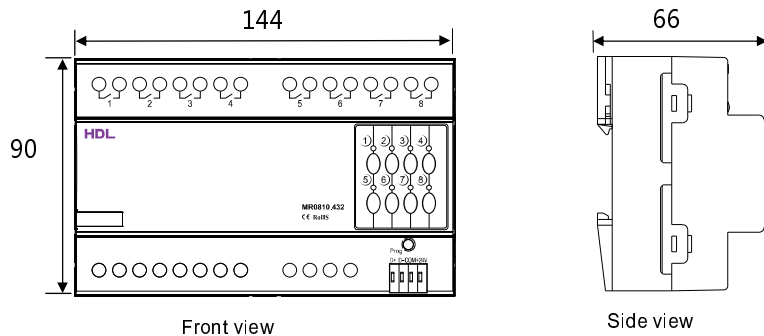
Important Notes

- Buspro cable - HDL Buspro/KNX cable, 0.8mm single-core copper cable.
- Buspro Connection - Series connection (hand by hand)
- Output Channel - The following list is the recommended load for output channel. To protect the relay, please connect a 10A breaker for each channel.

HDL Buspro Definition for Cable

HDL Buspro	HDL Buspro/KNX
DC24V	Red
COM	Black
DATA-	White
DATA+	Yellow

Dimensions and Wiring



Indicator for module: Flickers when the module is working properly. Keep pressing the indicator for 3 seconds, it will turn to red, then user can read and modify the address of the module in the HDL Buspro Pro set up software.

Steps for easy programming mode :

1. Pressing the programming button for about 10s, all output channel will be turned off automatically, indicator will flicker fast, enter easy programming mode.
2. Now the panel shows "programming", then press Button 9, 10 of DLP switch together, the panel will display "external programming".
3. Keep pressing the indicator for 2s, change the load, short press the indicator will change the load's status.
Note: The programming channel is from channel 1 to channel 8, and then it will go back to the channel 1. If you want to set multiple channels, the panel must be set to "Combination mode".
4. Choose a button which is used to control the channel. Keep pressing the button, it will cover the original targets, short press the button, it will add the relay loads.
5. Keep pressing the Indicator for 10 seconds to finish the programming.

This function is to be used in conjunction with the new generation of DLP.

Safety Precautions



- The screw down strength should not exceed 0.4Nm.
- Connect a breaker or fuse with each channel.
- Current in each channel is less than 10A.
- Do not make wrong connection on Buspro interface, it will damage the Buspro interface of this module.
- Avoid the rain or water into module, it will damage this device.
- Do not get AC voltage into Buspro wire, it will damage all devices in the system.
- Ensure good ventilation.
- Avoid contact with liquids and aggressive gases.

Packing List

■ Datasheet	×1
■ 10A Relay Module (HDL-MR0810.432)	×1

