

Parameters

Electrical Parameters:	
Working Voltage	DC15-30V
Static power consumption	20mA/DC24
Dynamic power consumption	Max. 280mA/DC24
Output current	Max. 8mA/CH
Output impedance	100Ω
Communication interface	HDL Buspro
Environmental Conditions:	
Working temperature	-5°C~45°C
Working relative humidity	Up to 90%
Storage temperature	-20°C~+60°C
Storage relative humidity	Up to 93%
Approved	
CE	
RoHS	
Product Information:	
Dimensions	72×90×66(mm)
Net weight	386.5(g)
Housing material	Nylon
Installation	35mm DIN rail installation
Protection rating	IP20

Important Notes

- Installation — 35mm DIN rail installation, inside DB box.
- Buspro cable — CAT5E or HDL Buspro/KNX cable.
- Buspro connection — Series connection (hand-in-hand).
- Connection checking — Check all connections after installation.
- The power consumption will reach 280mA, when all channels are set in output status.

Installation Steps

- Installation - 35mm Din rail installation, inside DB box.
- Connect load devices and Buspro cable.
- Check the Buspro cable connection, make sure the connection is correct.
- Check the output channels, ensure the output channels can not be shout-circuit and the LED connection is correct.
- Tidy up all cables.

Overview



The HDL-MHS51.231 51CH Dry Contact Module has 51 channels. It supports input and output settings of each channel via HDL Buspro Setup Tool according to the user's requirements.

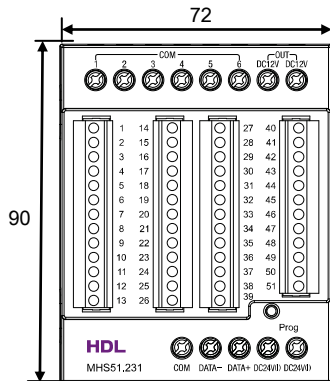
Functions

- 51 channels for dry contact input and output.
- It can control the dimming and switch functions of the targets, when the dry contact inputs.
- The input or output of each channel can be set independently.
- Enable or forbid function of each channel can be set independently.
- Switch types include: mechanical switch, single-on, single-off, single-on/off, combination on, combination off, combination on/off, multifunction, parallel combination switch, short/long press (mechanical switches, combination switches and multifunction switches can set 49 control targets).
- Control target mode: scene, sequence, universal switch, single channel lighting control, broadcast scene, broadcast channel, curtain control, panel control, GPRS, Security control, music play control etc.
- Supports online upgrading by Buspro.

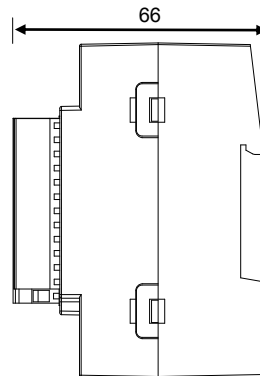
HDL Buspro Cable Guide

CAT5/CAT5E	HDL Buspro	HDL Buspro/KNX
Brown/ Orange	DC24V	Red
Brown white/ Orange white	COM	Black
Blue white/Green white	DATA-	White
Blue/ Green	DATA+	Yellow

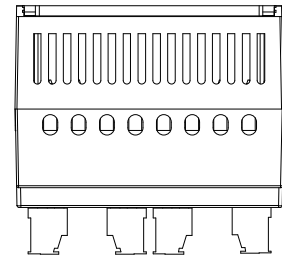
Dimensions and Wirings (Unit: mm)



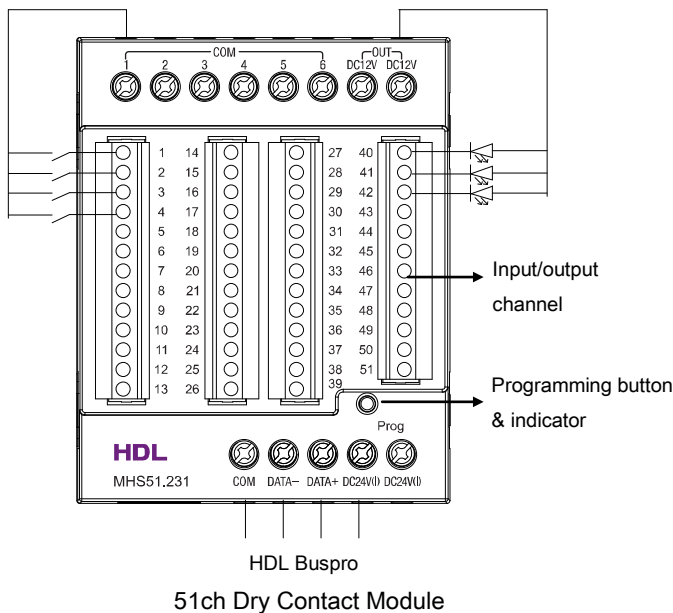
Front View



Side View



Side View



Input/output channel: This Module has 51 channels. It supports input and output settings of each channel. It is recommended for users to plan for input and output settings as to make proper connections.

Take Channel 1 - 4 as examples, set as dry contact input channels.

Take Channel 40 - 42 as examples, set as LED lights output channels.

Programming button & indicator: the indicator flickers when the module is working properly. Keep pressing for 3 seconds, the user can read and modify the address of the module in the HDL Buspro software.

HDL Buspro: Buspro interface. This module has 2 independent DC24V terminals, one of them can work as reserve power supply. When only one of them is connected, the module can work properly.

Safety Precautions



- The screw down strength should not exceed 0.4Nm.
- Ensure make correct connection on Buspro interface, or it will damage the Buspro interface of this module.
- Do not get AC power into dry contact signal wire, or it will damage all devices in the system.
- Do not get AC power into Buspro wire, it will damage all devices in the system.
- Avoid contact with liquids and corrosive gases.

Package Contents

- Datasheet ×1
- Device ×1

