

Parameters

Electrical Parameters:	
Working voltage	DC13-30V
Power consumption	60mA/DC24V
Environmental Conditions:	
Working temperature	-10°C~45°C
Working relative humidity	<90%
Storage temperature	-20°C~+60°C
Storage relative humidity	<93%
Approved	
CE	
RoHS	
Product Information:	
Dimensions	86×116×20.4(mm)(US) 86×86×20.4(mm)(EU)
Net weight	US: 330(g) EU: 107(g)
Housing material	Glass, ABS
Installation	Embedded installation
Protection rating	IP20

HDL Buspro Cable Guide

CAT5	CAT5E	HDL Buspro	HDL Buspro/KNX
Brown/ Orange		DC24V	Red
Brown white/ Orange white		COM	Black
Blue white/Green white		DATA-	White
Blue/ Green		DATA+	Yellow

Safety Precautions



- The screw down torque should not exceed 0.2Nm.
- The device should be used in conjunction with HDL panel power interface.
- Do not get AC power into Bus wire , it will damage all devices in the system.
- Do not let the device come into contact with liquids and corrosive gases.
- Ensure good ventilation.

Overview



HDL-MPTC03.48 ,HDL-MPTC03.46 Hotel switch for energy control and room information of hotel guest room. It has built-in Mirare FR card reader. Guest card, service card, cleaner card, etc. can be recognized by this panel, and it includes 3 touch buttons also. Customer can select US or EU standard according to their requirement.

Functions

- Master card for energy & power management.
- 3 touch buttons, sensitivity can be adjusted
- Button color RGB can be adjusted
- The touch button can be as the panel button to use, or work with HDL touch door bell panel, to be displayed DND, Clean, Wait.
- Control of mechanical switch can be configured when insert the card or take off the card, maximum 49 targets can be controlled by the switch. Maximum 99 targets can be controlled by other button modes
- Support HDL online upgrading

Important Notes

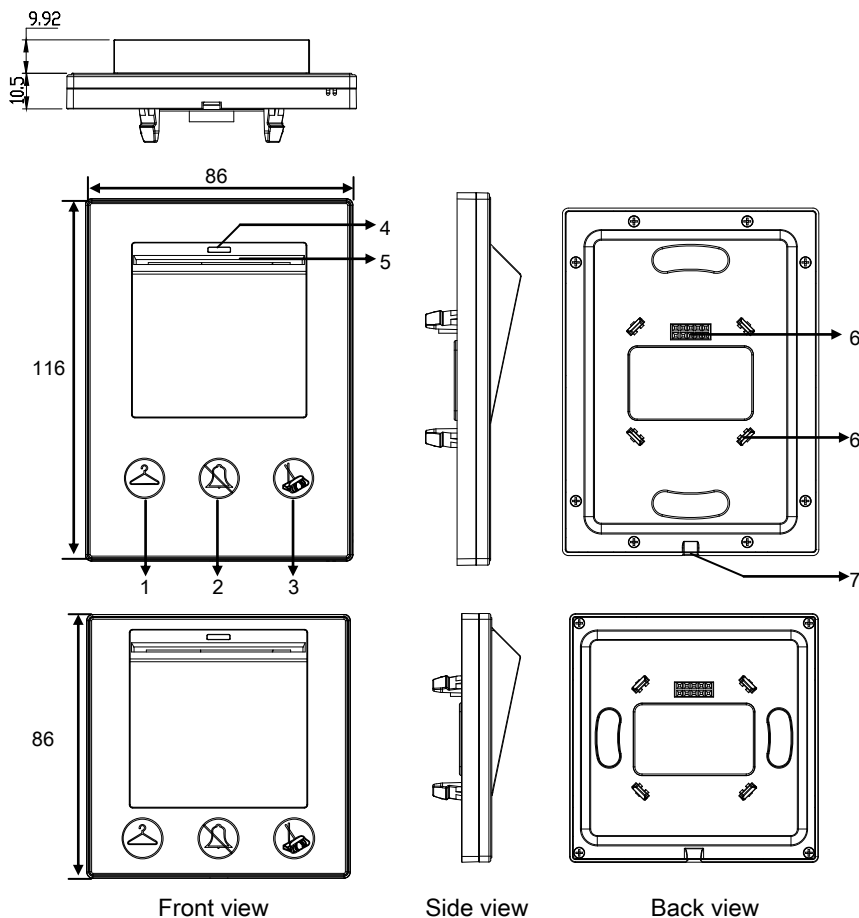
- It must work with HDL-MPPI.48 or MPPI.46 (Be installed in wall box)
- Buspro cable - CAT5E or HDL Buspro/KNX cable
- Buspro connection - Series connection (hand-in-hand)
- Installation - Embedded installation, install in the guest room gate.

Installation Steps

- Connect buspro cables. Make sure the color of the wire complies with the definition
- Make sure the buspro cable type is correct and has no short circuit.
- Mount the power interface in the wall box
- Make conjunction with the panel and power interface.



Dimensions and Wiring



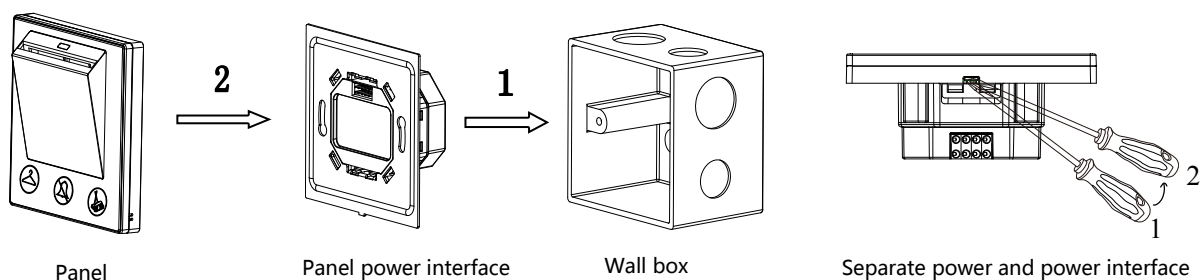
- 1.2.3. is touch button, can configure the targets by offline software.
- 4.Indicator: After power on, it turns red. It turns green after inserting the card
- 5.Card insert
- 6.Signal interface and fastener: Connect to panel power interface
- 7.Split gap: Insert the slotted screw driver to the split gap, separate the panel and power module

Note

This device can work with HDL touch door bell, when control 3 touch buttons (DND, Clean, Wait), the touch door bell status will be displayed, and control other targets at the same time.

Card: The new cards have to be assigned by the hotel guest room management software. There are totally 5 types of cards: Guest card, service card, cleaner card, maintenance staff card, manager card. When you use different cards, you can control different targets.

Installation



Installation: Hold the edge of panel (shown as above), insert the power interface module vertically. Do not push this module too hard.

Split: Insert a 2.5mm screwdriver to the split gap, pry up from position 1 to 2, wiring hole will open. Then separate the panel and power interface.

EU standard works with MPPI.48, US standard works with MPPI.46

Package Contents

- Device*1 / Datasheet*1/ Card*1