

Parameters

Electrical Parameters:	
Working voltage	12-30V DC
Power consumption	32mA/24V DC
Temperature detection range	-40°C~60°C
Illumination detection range	0~5000LUX
Humidity detection range	20~95%RH
Microwave detection range	H:7m D:12m L:6m
Environment Conditions:	
Working temperature	-20°C~+45°C
Working relative humidity	< 90%
Storage temperature	-20°C~+60°C
Storage relative humidity	< 93%
Approved	
CE	
RoHS	
Product Information:	
Dimension	Φ84.5mm×32mm
Net weight	67.5g
Housing material	ABS
Installation	Screw fixation
Protection rating	IP20

HDL Buspro Cable Guide

CAT5/CAT5E	HDL Buspro	HDL Buspro/KNX
Brown/Orange	24V DC	Red
Brown white/Orange white	COM	White
Blue white/Green white	DATA-	Black
Blue/Green	DATA+	Yellow

Important Notes

- Buspro - CAT5E or HDL Buspro/KNX cable
- Buspro connection - Series connection (hand-in-hand)
- Installation position - Ceiling mounted
- Check the connection, avoid any mistake
- Installation position: Indoor, keep it away from AC outlet and heat source.

Overview

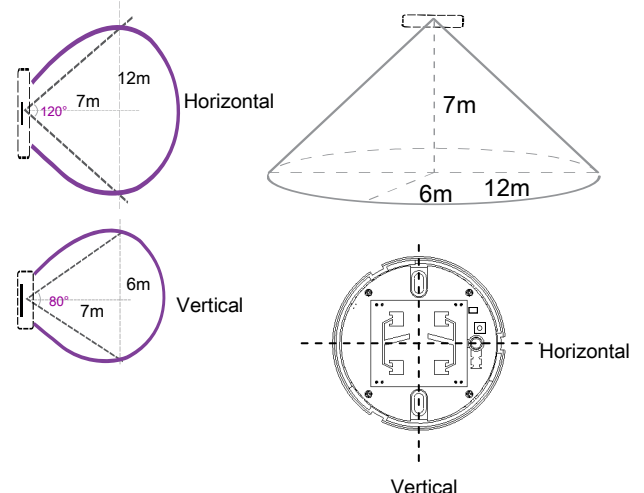


HDL-MSW01.4C Indoor Doppler Sensor includes LUX sensor, microwave sensor, temperature sensor, dry contact, universal switch. It can satisfy different requirement according to different logics. It supports HDL-Security mode.

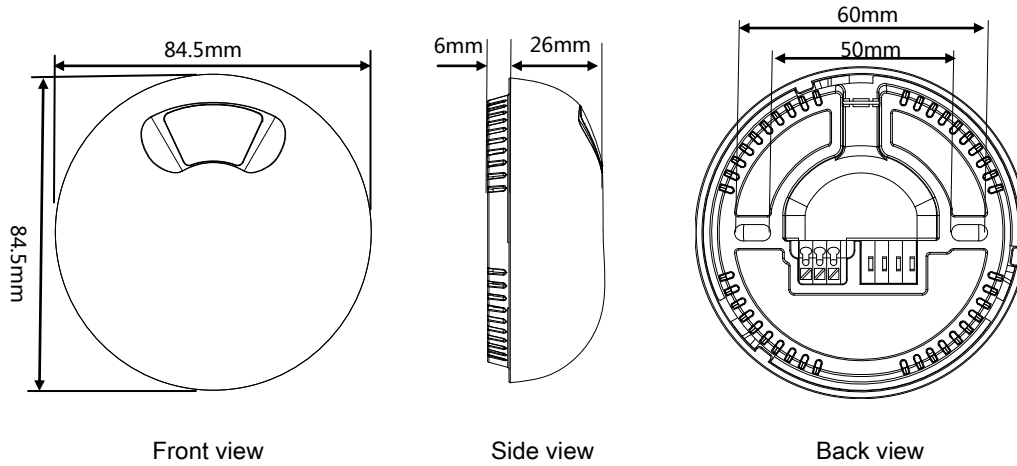
Functions

- Built-in LUX sensor, microwave sensor, temperature sensor, dry contact, universal switch.
- Two logical relations: OR, AND.
- It has 24 logic blocks, Both true logic and false logic can trigger the targets respectively. Each logic can set 20 targets.
- Adjustable microwave sensitivity, range is 1-100.
- Each logic supports trigger delay time from 0 to 3600s.
- The range of universal switch number in logic is 201-248, each logic has 2 universal switch numbers.
- Support security function
- Support online upgrading

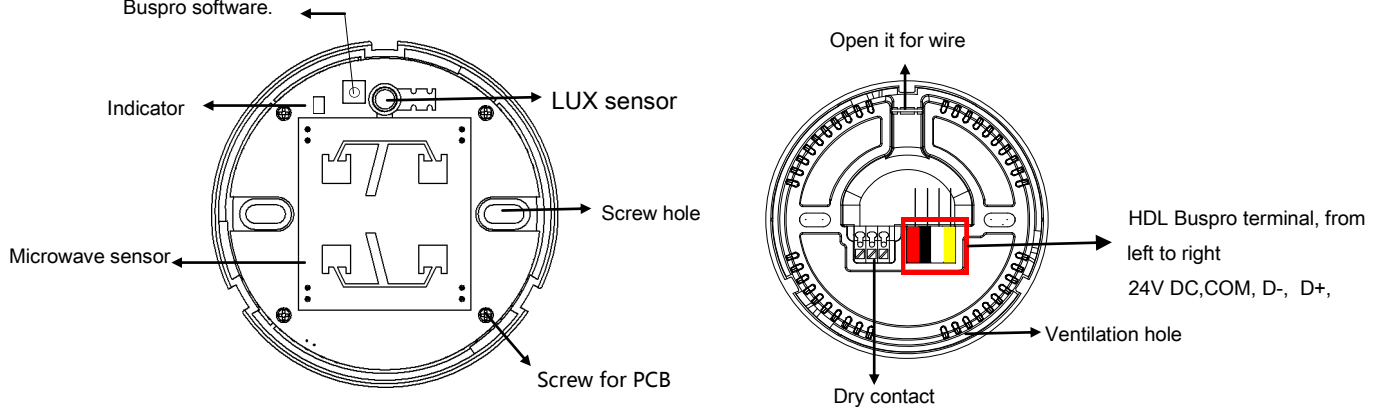
Microwave Detection



Dimensions



Programming button, when it works properly, keep pressing this button for 3s, the indicator will turn red, you can modify the address by HDL Buspro software.



Safety Precautions



- The screw down torque should not exceed 0.1Nm.
- Do not make wrong connection on Buspro interface, it will damage the Buspro interface of this module.
- Do not get AC power into Buspro wire, it will damage all devices in the system.
- Avoid contact with liquids and corrosive gases.

Packing List

- HDL-MSW01.4C *1 / Datasheet *1 / Bus terminal *1

