

Parameters

Electrical Parameters:	
Power Supply	DC12-30V
Communication interface	HDL Buspro
Environmental Conditions:	
Working Temperature	-5°C~45°C
Working relative Humidity	Up to 90%
Storage Temperature	-20°C~+60°C
Storage relative Humidity	Up to 93%
Approved	
CE	
RoHS	
Product Information:	
Dimensions	80×110.5×28.5(mm)
Weight	77.3(g)
Housing material	Steel, ABS
Installation	US Wall Box
Protection	IP20

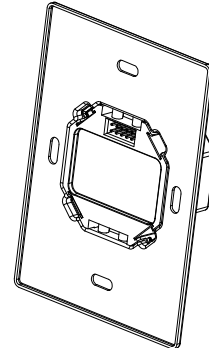
Installation Steps

- Connect the Buspro cable to the **HDL-MPLPI.46-A** port and pay particular attention to the wire and port colors.
- Make sure the correct Buspro cable type is used and there are no short circuits.
- Fix the **HDL-MPLPI.46-A** in the wall box.
- Mount other devices onto the **HDL-MPLPI.46-A**.

HDL Buspro Cable Guide

CAT5/CAT5E	HDL Buspro	HDLBuspro/KNX
Brown/ Orange	DC24V	Red
Brown white/ Orange white	COM	Black
Blue white/Green white	DATA-	White
Blue/ Green	DATA+	Yellow

Overview



The **HDL-MPLPI.46-A** Panel Power Interface is a docking base which provides DC power and communication signal for new generation wall-mounted panel switches and new wall-mounted sensors.

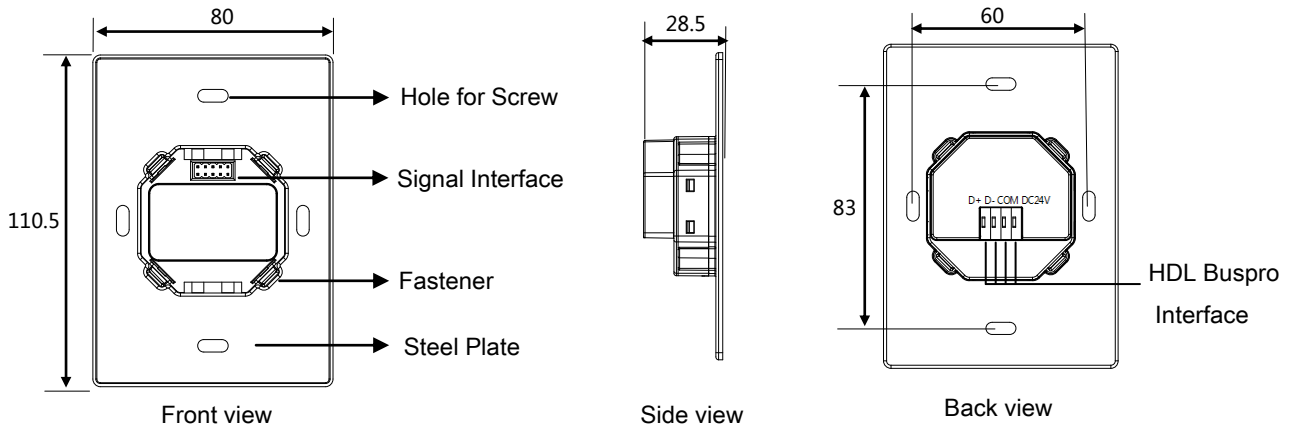
Functions

- The **HDL-MPLPI.46-A** Panel Power Interface is a universal base for different switches.
- It has an HDL-Bus interface and must work in conjunction with panel or sensor.

Important Notes

- Only use CAT5/CAT5E/ HDL Buspro/KNX cable, 0.8mm single-core copper cable.
- Buspro Connection — Series connection (hand-in-hand).
- It must work in conjunction with panel or sensor.

Dimensions (Unit: mm)

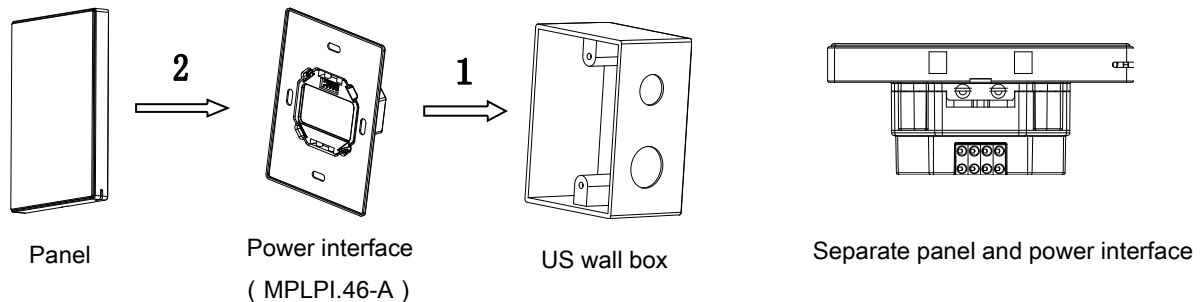


Signal Interface and fastener: They are connected with the panel switch or sensor.

Hole for Screw: It is used for fixing the HDL-MPLPI.46-A into the wall box.

HDL Buspro Interface: The Buspro cable must be connected to the HDL-Buspro Interface of the panel power interface correctly, the sequence from the left to the right: Data+, Data-, COM, DC24V.

Installation



Installation: Hold the edge of panel, insert the power interface module vertically.

To disassemble: The panel and panel power interface are in conjunction by magnetic suction, you can split them apart directly.

Safety Precautions



- The panel power interface must work in conjunction with panel or sensor.
- Ensure that the Buspro cable and Buspro interface are making correct connection.
- Never expose the panel power interface to liquids and corrosive gases.
- Must not connect AC power to the Buspro interface of the panel power interface.
- Ensure good ventilation.

Package Contents

- Datasheet*1 / HDL - MPLPI.46-A *1 / Screws*2 / Buspro connector*1

Contact Us

Need help or advice? Please visit www.hdlautomation.com, or Contact us via: support@hdlchina.com.cn.